



TD16/25/40-230: AC230V  
 TD16/25/40-24: AC/DC24V  
 TD16/25/40-120: AC120V

**16 Nm**  
**25 Nm**  
**40 Nm**

Damper actuator, ON/OFF Control, 0-95° Output angle, Auto protection system, Working range modulable, Universal coupling



**TECHNICAL DATA**

Power supply	AC230V, AC/DC24V, AC120V
Tolerance	± 10%
Output torque	16N.m 25N.m 40N.m
Run time	80s...150s
Operating power	6...8VA
Standstill power	2...4VA
Output angle	90°(95°Max)
Control signal	3 or 2 point on/off control
Universal coupling	Ø 14...20mm or □ 10...14mm
Overload protection	Automatic
Protection class	IP54
Ambient conditions	-10...+55°C 0...90% RH
Noise level(max)	40dB(A)
Weight	1.4...1.9kg

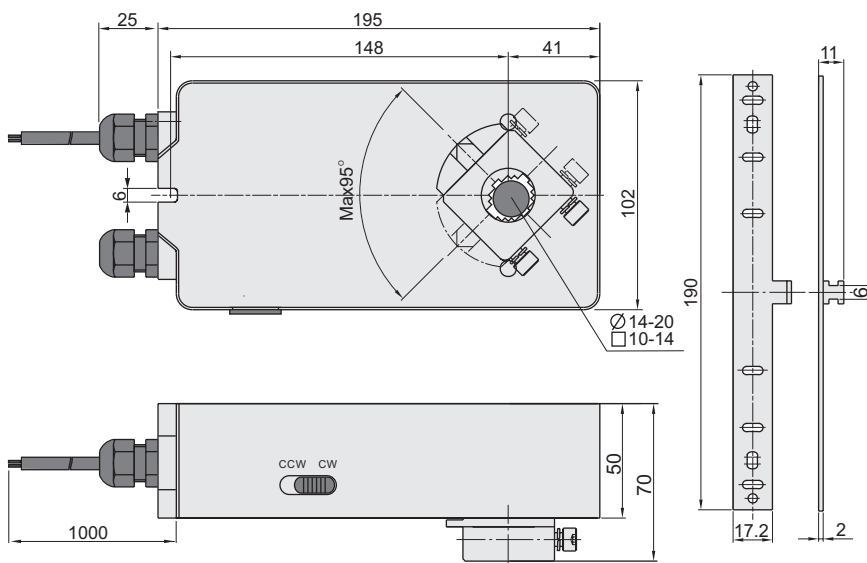
**BASIC FEATURES**

Type	Output Torque	Hold Torque	Voltage	Control Signal	Operating Power	Standstill Power	Run Time	Output Angle
TD16/25/40-230	16/25/40 N.m	16/25/40 N.m	AC230V	3 & 2 point	6...8 VA	3 VA	80...150 s	0...95°
TD16/25/40-24	16/25/40 N.m	16/25/40 N.m	AC/DC24V	3 & 2 point	6...8 VA	2 VA	80...150 s	0...95°
TD16/25/40-120	16/25/40 N.m	16/25/40 N.m	AC120V	3 & 2 point	6...8 VA	3 VA	80...150 s	0...95°

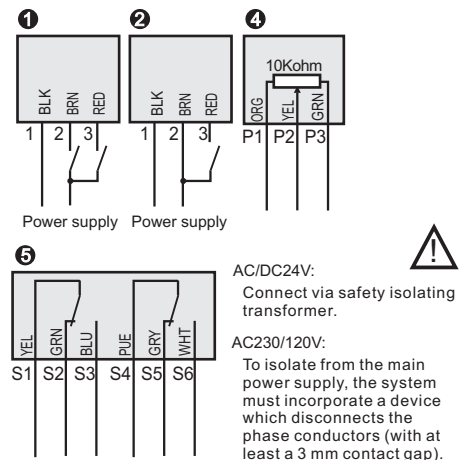
**OPTIONAL FUNCTION**

Type	Feature Descriptions
T...-...P	C/W a potentiometer (10Kohm)
T...-...S	C/W 2 microswitches(3A@AC250V)

**DIMENSIONS**



**WIRING DESCRIPTIONS**



Wiring diagrams	Power supply
TD ... -24	① or ② AC/DC24V
TD ... -230	① or ② AC230V
TD ... -120	① or ② AC120V
TD ... - ...P	① + ④
TD ... - ...S	① + ⑤



TA16/25/40-230: AC230V  
 TA16/25/40-24: AC/DC24V  
 TA16/25/40-120: AC120V

**16 Nm**  
**25 Nm**  
**40 Nm**

Damper actuator, Modulating Control, 0-95° Output angle, Auto protection system, Working range modulable, Universal coupling



**TECHNICAL DATA**

Power supply	AC230V, AC/DC24V, AC120V
Tolerance	± 10%
Output torque	16N.m 25 N.m 40N.m
Run time	80...150s
Operating power	6...8VA
Standstill power	1...2VA
Output angle	90°(95°Max)
Control signal	DC0(2)...10V DC0(4)...20mA
Feedback signal	DC0(2)...10V
Universal coupling	Ø 14...20mm or □ 10...14mm
Overload protection	Automatic
Protection class	IP54
Ambient conditions	-10...+55°C 0...90% RH
Noise level(max)	40dB(A)
Weight	1.4...1.9kg

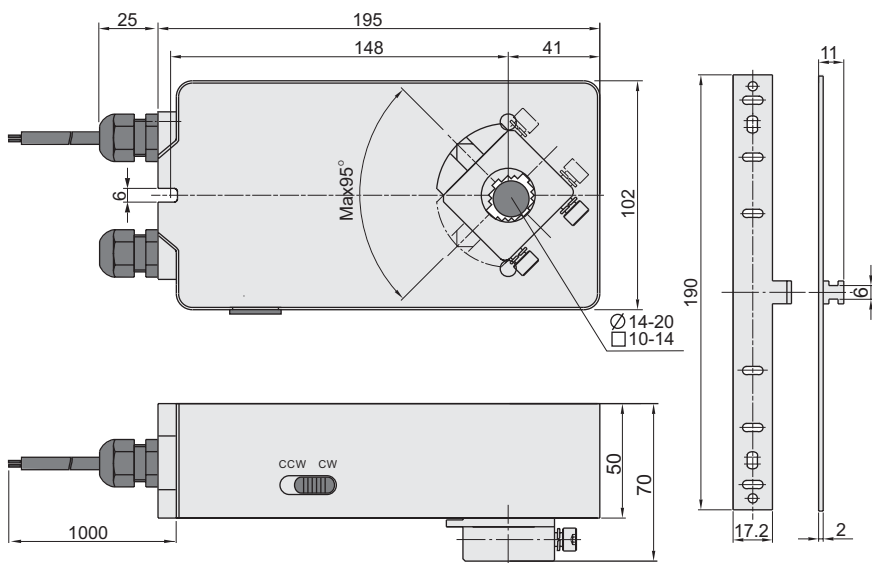
**BASIC FEATURES**

Type	Output(Hold) Torque	Voltage	Control Signal	Operating Power	Standstill Power	Run Time	Output Angle
TA16/25/40-230	16/25/40 N.m	AC230V	DC0(2)...10V/0(4)...20mA	6...8 VA	3 VA	80...150 s	0...95°
TA16/25/40-24	16/25/40 N.m	AC/DC24V	DC0(2)...10V/0(4)...20mA	6...8 VA	2 VA	80...150 s	0...95°
TA16/25/40-120	16/25/40 N.m	AC120V	DC0(2)...10V/0(4)...20mA	6...8 VA	3 VA	80...150 s	0...95°

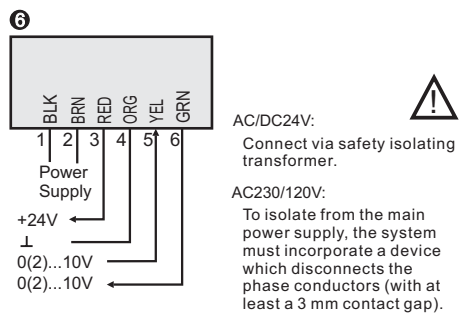
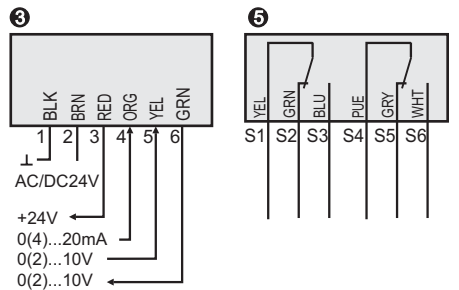
**OPTIONAL FUNCTION**

Type	Feature Descriptions
T...16...S	C/W 2 microswitches(3A@AC250V)
T...25...S	C/W 2 microswitches(3A@AC250V)
T...40...S	C/W 2 microswitches(3A@AC250V)

**DIMENSIONS**



**WIRING DESCRIPTIONS**



Wiring diagrams	Power supply
TA ... -24	③ AC/DC24V
TA ... -230	⑥ AC230V
TA ... -120	⑥ AC120V
TA ... -24S	③ + ⑤ AC/DC24V
TA ... -230S	⑥ + ⑤ AC230V
TA ... -120S	⑥ + ⑤ AC120V