



## HPR6 – Interposing Relay Module, 6 Channel SPDT, Opto-Isolated

---

The HPR6 provides six individual SPDT relays that may each be triggered by 5...30Vdc or 12...48Vac making each relay channel universally suitable for operation by digital outputs or analogue outputs. The control input circuits are opt-isolated from the relay circuits.

Features include:

- Status indication LED per channel
- Auto/Off/Manual switch per channel
- Three position switching threshold setting jumper for analogue signals (4Vdc, 6.5Vdc or 9.5Vdc)

The switched outputs are 250Vac rated, 10A resistive / 7A inductive on the normally open contact (n/o) and 6A resistive on the back contact (normally closed contact – n/c)

Using the HDA00xx DIN rail adapters the housing uses less linear DIN rail space than a traditional relay and base method of providing a barrier between control devices and the devices in the field.

---

### Description

<b>HPR6</b>	Relay module, 6 channel opto-isolated, universal control input, 250Vac SPDT 10(7)A / 6A relay output, HOA, 24Vac
-------------	--

---



#### Caution



The relay outputs are rated for up to 250Vac and as such the power supply to the relay outputs should be switched off before carrying out any alterations or maintenance



Only suitably qualified personnel should undertake any maintenance of the device



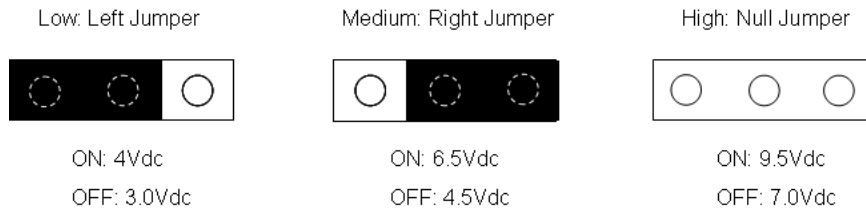
Observe local regulations with regard wiring and circuit protection

---



## Analogue Signal Jumper Setting

When switching the relays via an analogue signal it is possible to select one of three switching thresholds via a three position jumper for each channel.

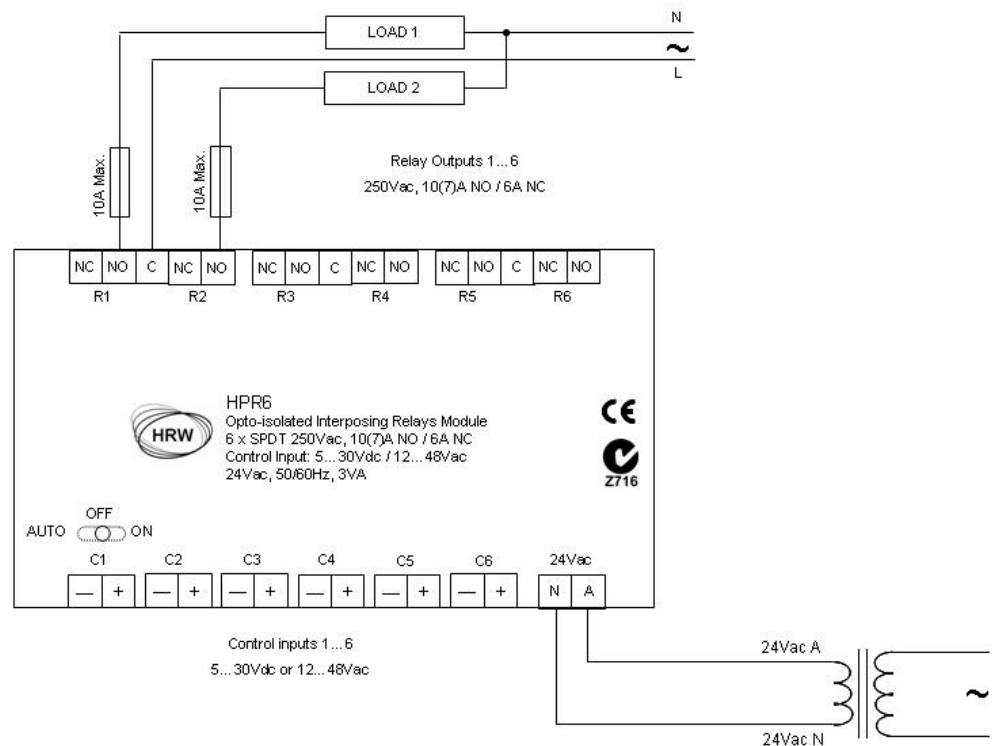


With an analogue output with at least 1.5mA capacity it is possible to connect one AO to three channels in parallel to achieve three stage control of the connected relay channels.

AO's with lesser capacity may switch two channels at the two lower stage settings or may switch multiple relays all at the lower threshold settings (all channels switching simultaneously).

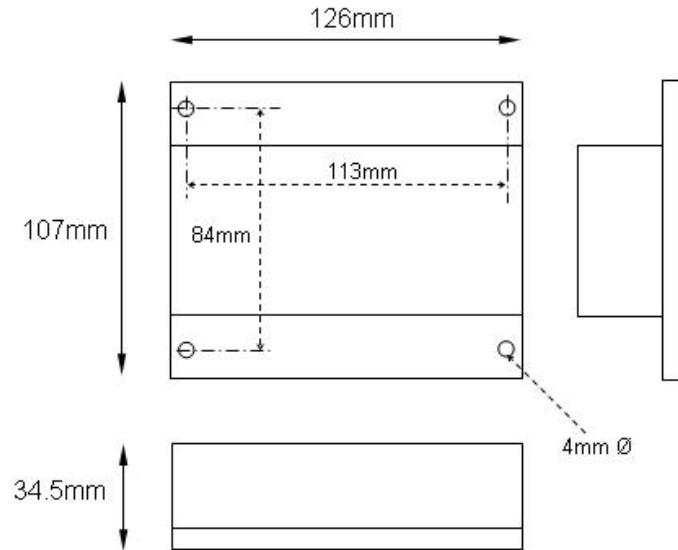
In normal use as an interposing relay, switched via a digital signal, we recommend to leave the jumpers in the null position.

## Connections





## Dimensions



## Technical Data

Power supply:	24Vac, 3VA, 50/60Hz
Control input voltage:	5...30Vdc or 12...48Vac
Vdc hysteresis:	Jumper left: On 4.0Vdc, Off 3.0Vdc (+/- 5%) Jumper right: On 6.5Vdc, Off 4.5Vdc Null jumper: On 9.5Vdc, Off 7.0Vdc
Relay outputs:	Based on maximum three channels/stages controlled in parallel, 1.5mA AO capacity SPDT (Form C), 250Vac 10A resistive / 7A inductive normally open, 6A resistive normally closed
Insulation resistance:	100MΩ (500Vdc)
Voltage withstand:	Contact to contact – 0.75kV, 1 minute Contact to coil – 1.5kV, 1 minute
Relay coil life:	10,000,000 million operations
Relay contact life:	100,000 operations @ 7A resistive 50,000 operations @ 10A resistive
Relay contact face:	Ag
Transition time:	Closing – 8msec max. Opening – 5msec max.
Conformity:	CE
Operating temperature:	0...50°C (32...122°F)
Storage temperature:	-5...75°C (-40...167°F)
Operating humidity:	10...95%rH (non-condensing)
Dimensions:	107mm x 126mm x 35mm



---

## Ordering

**HPR6** Relays module, 6 x Opto-iso SPDT 250Vac 10(7)A n/o 6A n/c, ac/dc trigger, HOA, 24Vac

Standard packaging 40 units per carton

## Accessories

**HDA0002** DIN rail adapters, 2 pcs factory fitted to HPR6

**HDA0010** DIN rail adapters, 10 pcs delivered separately

**HDA0050** DIN rail adapters, 50 pcs delivered separately

**HDA0100** DIN rail adapters, 100 pcs delivered separately