



Ball Valve, DN15...DN50

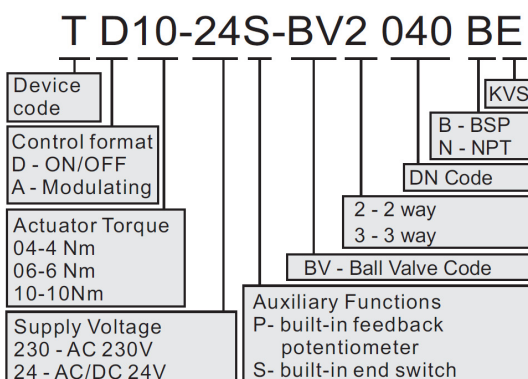
TA...BV...

TD...BV...

INTRODUCTION

TD / TA...BV Series Motorized Ball Valve, provides single line / 3-point floating / modulating control, C/W manual operation & release button

LEGENDS



WARNING

1. Installation & testing by qualified personnel, be sure of correct voltage to be applied, incorrect wiring may damage device and cause casualty

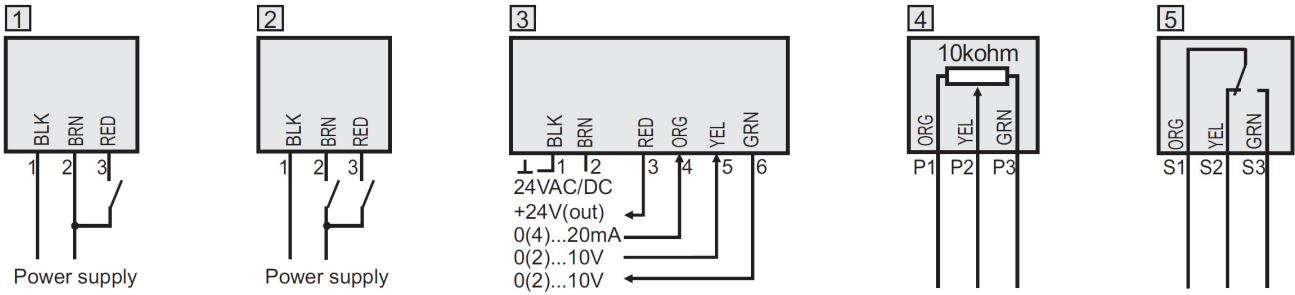
2. Each device has been calibrated before leaving factory and do not change any parameter deliberately

TECHNICAL DATA

Medium	Water, 50% glycol	
Medium Temperature	-10°C...100°C (optional 140°C max.)	
Rated Pressure	2760 kPa	
Leakage	A-AB (air-tight DIN 3230)	
	Bypass B-AB 1...2% Kvs (3 way valve)	
Pipe Connection	Female Thread (BSP / NTP)	
Differential Pressure	350 kPa (200 kPa Low-noise)	
Closing Pressure	1400 kPa	
Actuator Models	T...04(DN15/20/25)/T...06(DN32)/T...10(DN40/50)	
Supply Voltage	AC 220V / AC/DC 24V	
Operating Time	70 ~ 120 Sec	
Operating Power	3...6VA	
Rotation Angle	0 ~ 90°	
Control Signal	TD...	3-Point or single line on/off control
	TA...	Y1:DC0(2)...10V (input impedance : 100k ohm)
	TA06/10...	Y2:DC0(4)...20 mA (input impedance : 500 ohm)
Feedback Signal	TD...P...	10 k ohm Potentiometer
	TA...	U:DC0(2)...10V
	T...S...	3A,AC250V
Overload Protection	Automatic Full Protection	
Protection Class	IP 54	
Ambient	-10...55°C	
Net Weight	1...3 kg	

TA/TD Series Ball Valve

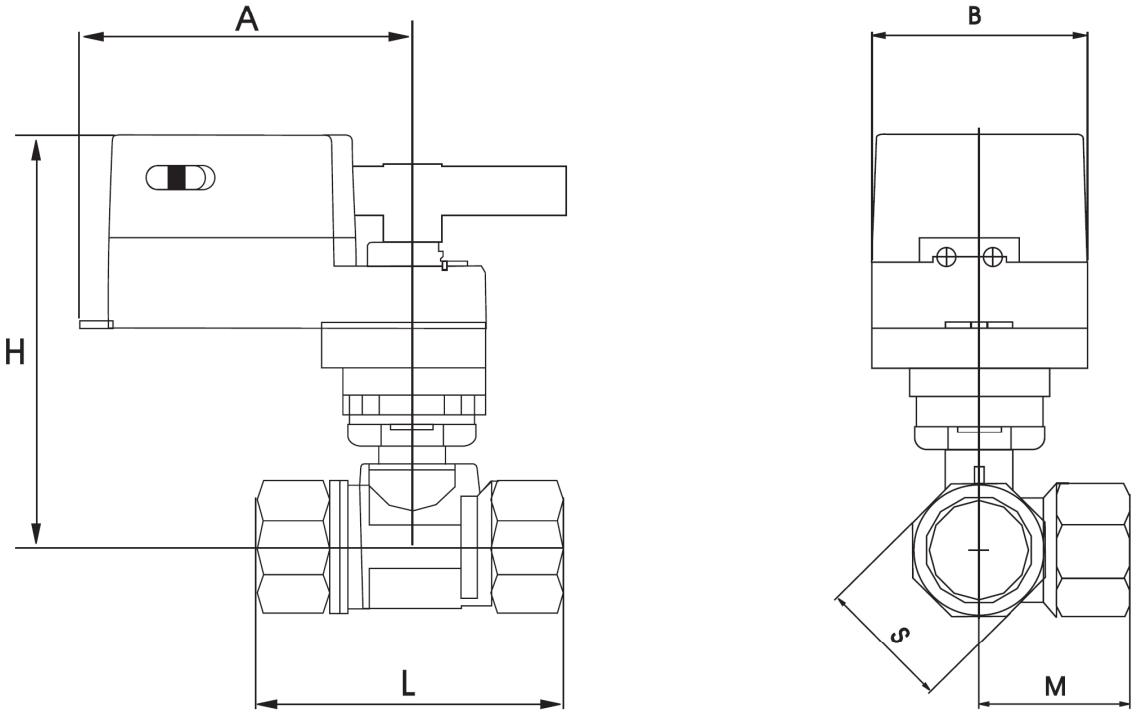
WIRING DIAGRAM



Model No	Wiring Diagram	Voltage	Aux. Function
TD...-230-1	1	AC220V	
TD...-230	1 or 2	AC220V	
TD...-24	1 or 2	AC/DC24V	
TA...-24	3	AC/DC24V	
TD...-230P	1 + 4	AC220V	c/w potentiometer
TD...-24P	1 + 4 or 2 + 4	AC/DC24V	c/w potentiometer
TD...-230S-1	1 + 5	AC220V	built-in switch
TD...-24S	1 + 5 or 2 + 5	AC/DC24V	built-in switch

Latest wiring diagram is shown on each device

DIMENSIONS



	DN15/20	DN25	DN32	DN40	DN50		DN15/20	DN25	DN32	DN40	DN50
A	105	105	105	140	140	PN (Mpa)	2.5	2.5	2.5	2.5	2.5
B	65	65	65	85	85	Closing Diff.	0.6	0.6	0.6	0.6	0.6
H	122	124	134	166	175	Closing Pre.	1.4	1.4	1.4	1.4	1.4
L	75	91	102	113	128	KV (option)	2.5/6.3/10.1	10/16	16/25	25/40	43/60
S	32	39	49	55	70	KV code	D/E/F	E/F	E/F	E/F	E/F
M	37	46	53	57	65	Actuator	TD/TA04...LN		TD/TA06...LN	TD/TA10...LN	
Wt.(kg)	1	1.2	1.6	2.2	3						

TA/TD Series Ball Valve

