



HCSD...F Current Switch

Solid Core, Fixed Switch Point

The HCSD...F current switches are the easy-installation choice for monitoring operational statuses via AC current sensing. Safe and reliable with a maximum output activation point of 0.5A, a normally open (N/O) dry contact and red LED indication to show load presence. The rated load of the switched output is 0.3A @135Vac/dc.

The operation is based on electromagnet induction. Induced current will be produced when the AC current in the circuit increases. The state of the output changes when the monitored primary circuit current exceeds the factory-set level. The red LED will indicate that this threshold has been met.

Key Features

- Self-powered, reducing installation and operating cost
- Safe & reliable
- Easy installation
- Solid-state output, 0.3A @135 Vac/dc
- Conforms to UL, CSA, Rohs and CE requirements
- ABS housing (UL 94V-0)
- Fixed setpoint 0.5 Amps
- LED Indicator for quick visual status indication
- Response time <200ms.
- Isolation voltage 2kVac

Applications

- Monitoring AC load status
- Overload protection
- Fan proving

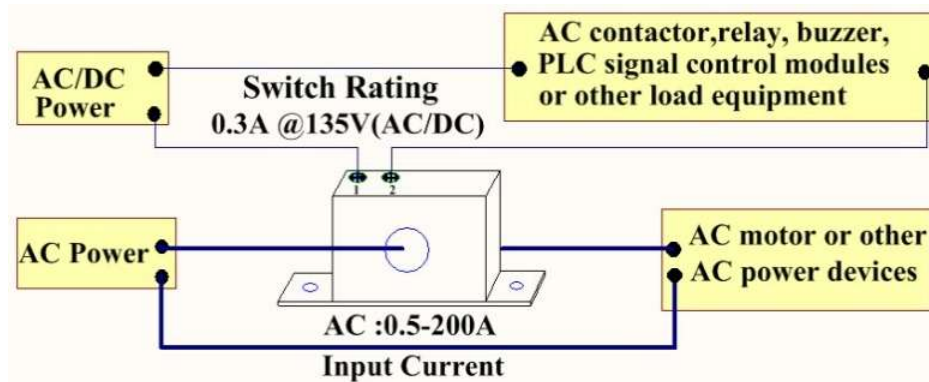
Model Selection

- **HCSDO-0503FR** Solid-core, Fixed ≤ 0.5 (...200)A, N/O, dry contact 0.3A @ 135Vac/dc



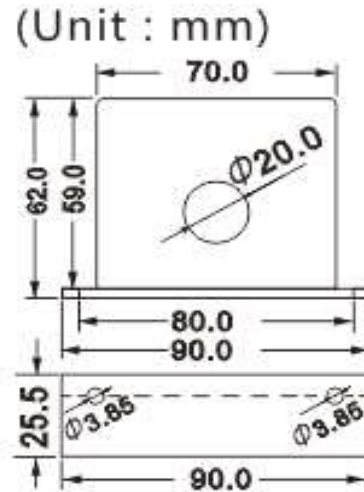
Installation & Operation

1. Using screws, mount the switch in a suitable location using the two mounting holes in the base of the unit
2. Ensure that the power supply to the circuit is off
3. Disconnect the circuit line, slide the power conductor cable through the sensing hole of the current switch, and reconnect the circuit line
4. Connect the switch circuit to the terminal block for the load
5. Turn the load on
6. The red LED will activate when the connected load achieves/exceeds 0.5A
7. The current switch is now in operation giving the required switch output





Dimensions



Specifications

Power-supply	None, self-powered.
Amperage Range	0.5 to 200A continuous
Set Point	0.5A, fixed
Dimensions	62×90×25.5mm
Switch state:	Normal Open
Output Rating	0.3A @ 135VDC/AC
AC load frequency	10-200Hz
Hysteresis	≤ 1%
Accuracy	10%
Repeatability	100%
Power consumption	≤ 1W
Response time:	<200ms
Leakage current	≤ 1mA
Temperature limit	0 to 50°C (32 to 122°F)
Humidity limits	10 to 95% rH (non-condensing).
Enclosure Rating	UL 94V-0 flammability rated ABS, insulation class 600V
Maximum overload	200% (< 200% of the rated feedthrough current).