



Features

On/Off output

Electrical Rating 250Vac

Switching pressure to be adjusted
easy on a scaled adjustment knob

Static, over, underpressure and vacuum

IP54 protection

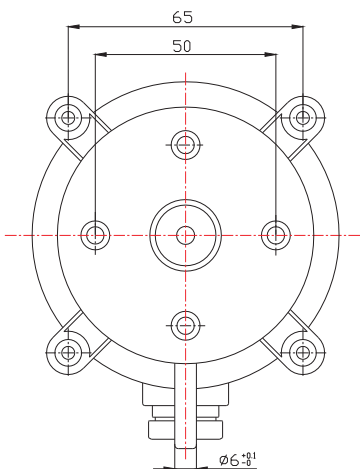
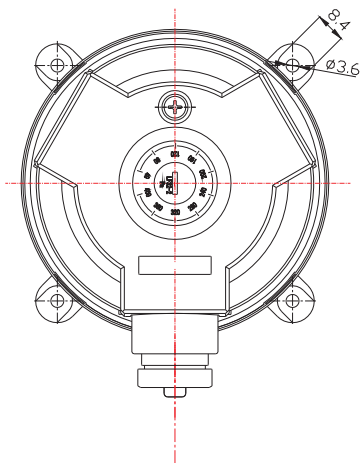
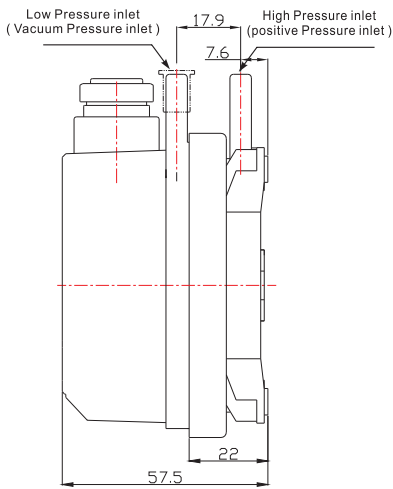
Technical Data

Output	on/off
Max. Operating Pressure	5kPa
Medium	Air, non-combustible and no-aggressive gases
Operating temp. range	-40 C to 85 C
Pressure connections	2 plastic pipe connection pieces(P1 and P2), external diameter 6.0mm; P1 for connection to higher pressure (marked +) P2 for connection to lower pressure(marked -)
Mounting position	Diaphragm in any vertical plane
Contact arrangement	SPDT
Tolerance	15%
Weight	140g
Electrical rating	
- Resistance	initial<400milliohms
- Current	1.5A (0.4A) /250 V
Protection	IP54
Approvals	CE

Ordering

Type no.	Adjustment range	Switching differential
Air differential pressure switch		
LF32-02	20-200 Pa	20 Pa
LF32-03	30-300 Pa	30 Pa
LF32-05	50-500 Pa	50 Pa
LF32-10	100-1000 Pa	100 Pa
Air differential pressure switch with duct fixing kit (DFK 200), packed together into a carton		
LF32-02A	20-200 Pa	20 Pa
LF32-03A	30-300 Pa	30 Pa
LF32-05A	50-500 Pa	50 Pa
LF32-10A	100-1000 Pa	100 Pa
DFK 200	Duct fixing kit	

Dimensions (mm)



Options / Accessories

Duct fixing kit



The DFK 200 duct fixing kit includes:
2 Plastic tubes with integrated mounting plate
2 meter PVC hose and 4 screws

DPST Screw terminal



Electrical connection

