



SSVR-40A...Modulating Single Phase Solid-State Relay

Single phase solid-state relay with 0-10Vdc modulating input and 440Vac rated output for loads up to 40 amps.

Zero-crossing fired output, each cycle half wave conduction proportional to input range percentage.

Range Overview

Solid-State Relay

SSVR-40A-10VDC

- 0-10Vac input, 440Vac 40A output

Heat sink (ordered as separate item):

HH-036

- For SSVR-40A, SSR3P-30A, SSR3P-40A

Thermal paste: (ordered as separate item):

HTC20S

- 20ml syringe
-

Installation



- Always ensure the connected load is within the load limits of the SSR
- Stated load is in combination with a heat sink designed to provide sufficient heat-dissipation to match the SSR load
- The SSR should be mounted securely to the selected heat sink
- Heat-conducting paste must be applied between the SSR and the heat sink to ensure efficient heat transfer takes place
- Adequate ventilation should be provided in the electrical panel to ensure heat is dissipated from the heat sink efficiently

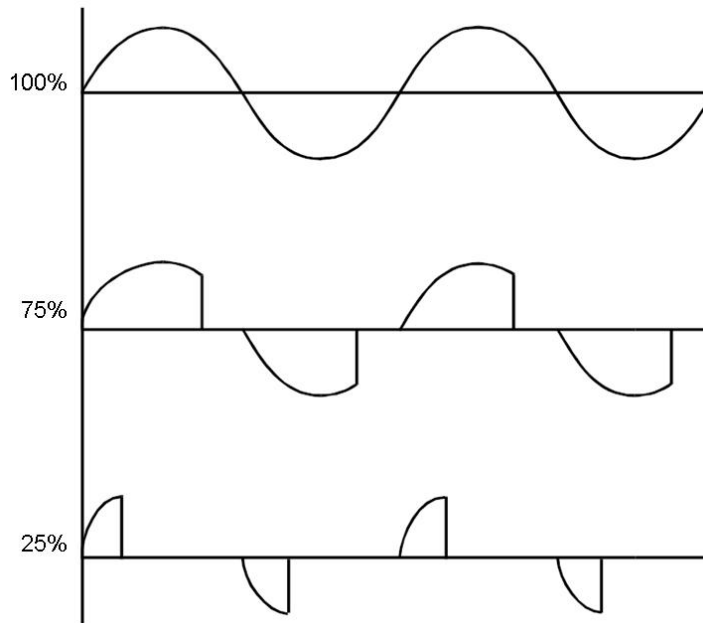


- Only suitably qualified personnel should perform installation or maintenance of these devices
- Always disconnect the voltage before carrying out any installation or maintenance of these devices

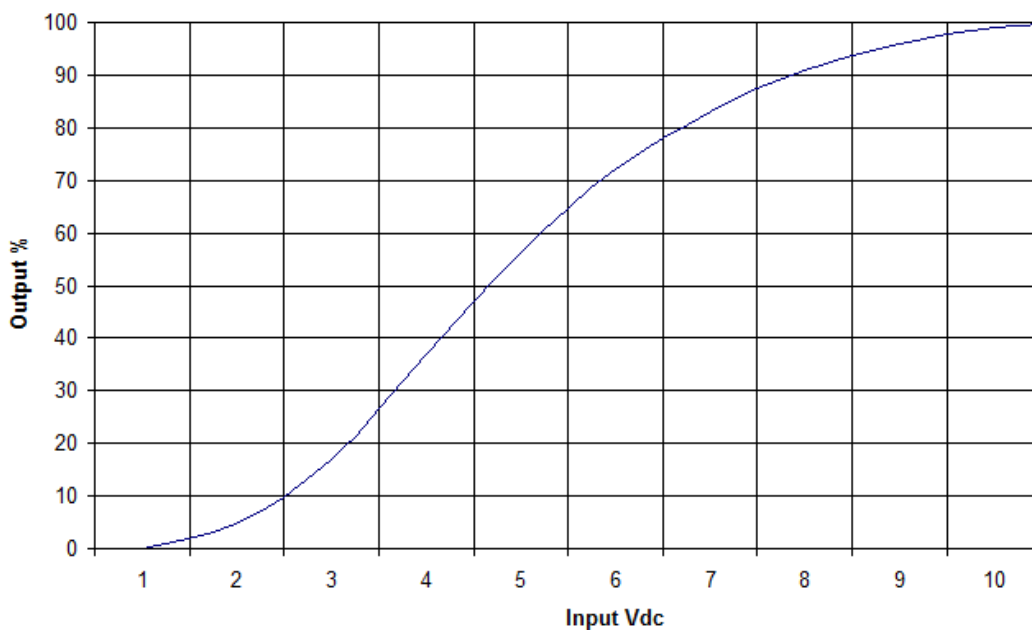


Output Phase Angle Switching

The output is fired at the zero-crossing each half cycle for a percentage of the half cycle. The output conduction period relates to the applied input signal range percentage

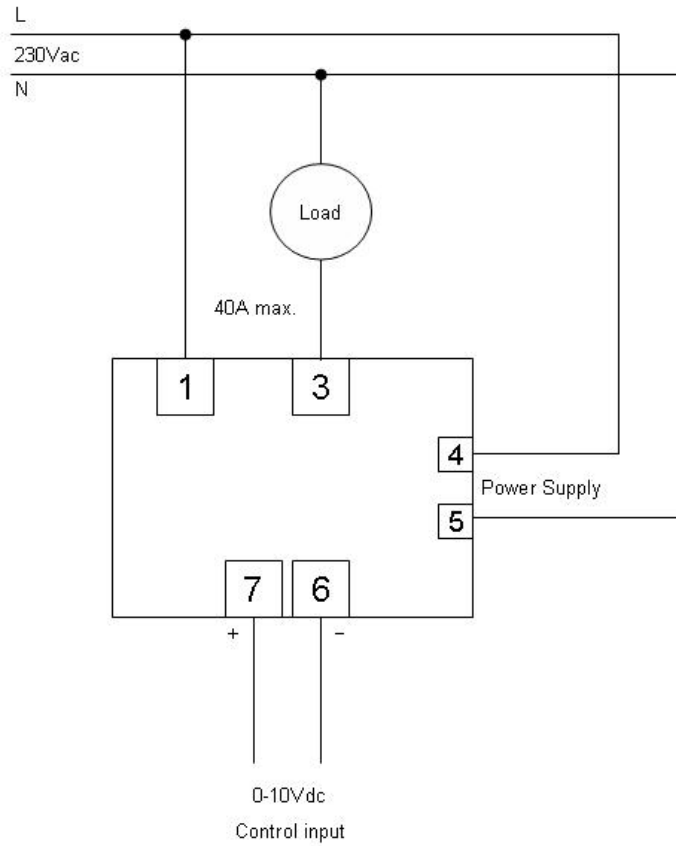


Input/Output Response



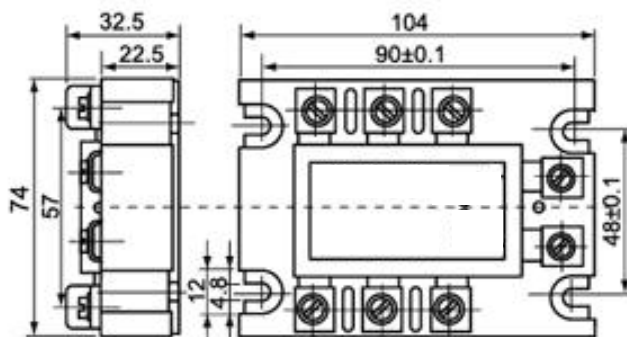


Connections

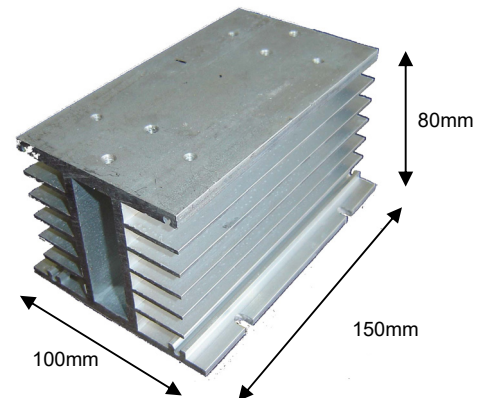


Dimensions

SSVR:



HH-036:





Technical Data

Control input voltage:	0-10Vdc
Power supply:	230Vac, 50 Hz
Load output rated voltage:	440Vac max
Rated output current (I _N):	40A max
ON state voltage drop:	<2V
Transition time:	<10ms
OFF state leakage current:	<10mA
Isolation voltage:	>2kV
Ambient operating temperature (T _A):	-25...+70°C with heat sink. Above 40°C down-rate: $I_{MAX} = I_N * (T_A - 40) * 0.01875$
Operating indication:	LED
