

## AMI-S Stainless steel bulb well (immersion pocket) for temperature sensors

### Features

- Spring loaded stainless steel bulb well / immersion pocket: Plug & play sensor installation!
- Optional as well available with fixing screw.
- Fits into a 1/2" NPT threaded saddle
- Compatible with corrosive and non-corrosive liquids
- Facilitates quick mounting and replacement of sensors
- For media temperatures up to 538°C (1000°F)



### General Description

AMI bulb wells or immersion pockets are used with SD-T, SDB-T or SDC-T1 Series temperature sensors and transmitters to measure the temperature of liquids. The wells are installed in a standard 1/2" NPT threaded saddle. The sensors are inserted into the well and are spring loaded. The front part is filled with temperature conducting paste.

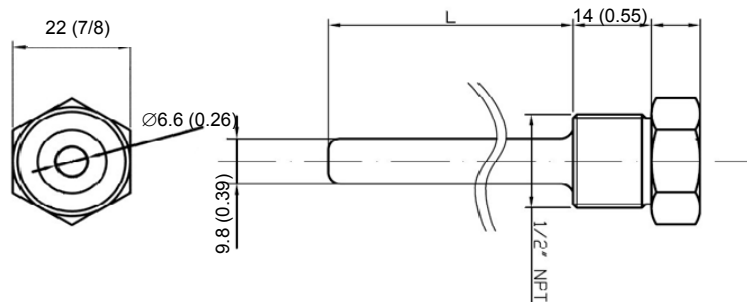
Important: Sensor tip must reach tip of well to accurately measure media temperature.

### Name

### Ordering

Spring loaded		Fixing screw		Immersion length (L)	Weight
Item name	Article #	Item name	Article #		
<b>AMI-S05</b>	40-51 0001	<b>AMI-S05-1</b>	40-51 0012	5 cm (2")	58g (2.0 oz)
<b>AMI-S07</b>	40-51 0002	<b>AMI-S07-1</b>	40-51 0013	7.5 cm (3")	63g (2.2 oz)
<b>AMI-S10</b>	40-51 0003	<b>AMI-S10-1</b>	40-51 0014	10 cm (4")	70g (2.5 oz)
<b>AMI-S15</b>	40-51 0004	<b>AMI-S15-1</b>	40-51 0015	15 cm (5.9")	82g (2.9 oz)
<b>AMI-S20</b>	40-51 0021	<b>AMI-S20-1</b>	40-51 0016	20 cm (7.9")	94g (3.3 oz)
<b>AMI-S30</b>	40-51 0019	<b>AMI-S30-1</b>	40-51 0017	30 cm (11.8")	118g (4.2 oz)
<b>AMI-S40</b>	40-51 0020	<b>AMI-S40-1</b>	40-51 0018	40 cm (15.7")	142g (5.0 oz)

### Dimensions (in [mm])



### Technical specifications

<b>Material</b>	-S Stainless Steel 304
<b>Thread</b>	NPT 1/2"
<b>Nominal Pressure</b>	2500 kPa, 25 bar (360 PSI)
<b>Temperature</b>	-60...538°C (-76...1000°F)
<b>Spanner width</b>	22 mm (7/8)
<b>Inside diameter</b>	6.6 mm (0.26")