



PT500 Differential Pressure Transmitter

Differential pressure transmitters for HVAC liquids, compressed air and refrigerant applications. Stainless steel construction ideal for industrial installations

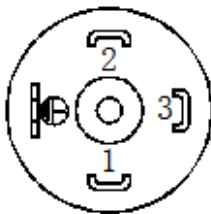
Applications

- Air compressors
- Building water supply systems
- HVAC control systems
- Hydraulic controls
- Refrigeration

Model Selection

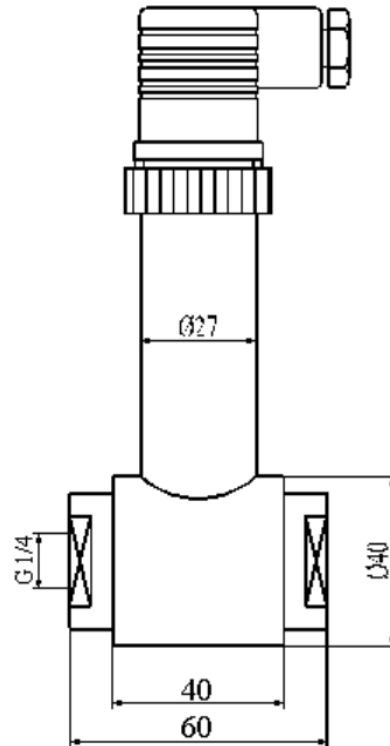
- **PT500-01B-010-G14-24VAC** Pressure, static, 0...1 Bar, 0-10Vdc, G1/4", 24Vac
- **PT500-02B-010-G14-24VAC** Pressure, static, 0...2.5 Bar, 0-10Vdc, G1/4", 24Vac
- **PT500-04B-010-G14-24VAC** Pressure, static, 0...4 Bar, 0-10Vdc, G1/4", 24Vac
- **PT500-06B-010-G14-24VAC** Pressure, static, 0...6 Bar, 0-10Vdc, G1/4", 24Vac
- **PT500-10B-010-G14-24VAC** Pressure, static, 0...10 Bar, 0-10Vdc, G1/4", 24Vac

Connections



Pin 1	Power Supply +ve
Pin 2	Power Supply -ve
Pin 3	Output Signal +ve
	Output Signal -ve

Dimensions



Technical Data

Electrical connection:	DIN, 4-wire
Power Supply	18-24Vdc/24Vac
Output signal:	0-10Vdc
Output impedance:	$> 100\text{K}\Omega$
Pressure port:	$G1/4$ "
Overload pressure:	1.5 x design pressure range
Accuracy:	$\pm 0.5\%$ F.S.
Medium compatibility:	All SS304 compatible corrosive media
Insulation resistance:	$> 100\text{M}\Omega @ 50\text{V}$
Operating temperature:	$-40 \dots 85 \text{ }^\circ\text{C}$
Protection Class:	IP65
Conformity & approvals:	EMI: EN50081-1/-2, EMS: EN50082-2

